

Interchangeable with
Model TH-FDS

SPEC SHEET
PX103-I

FLUSH DIAPHRAGM TRANSMITTER

Stainless Steel Wetted Parts

\$495
Model Shown

PX103 Series
4-20 mA Output
0-5 to 0-20,000 psi
0-500 mbar to 0-1,300 bar

1 bar = 14.5 psi
1 kg/cm² = 14.22 psi
1 Atmosphere = 14.7 psi = 29.93 in-Hg = 760.2 mm-Hg = 1.014 bar

- All Stainless Steel
- Low Noise 4-20 mA Output
- Flush Diaphragm for Hard-to-Measure Fluids
- Ideal for Tank and Level Applications

The OMEGADYNE™ PX103 Transmitter features a rugged all stainless steel case and a high reliability low noise 4-20 mA output. Designed for use in critical applications in waste water management, chemical manufacturing, water processing, tank and level applications and other industrial applications where a non-plugging flush diaphragm is needed.

**For Sales and Service
In U.S.A. and Canada**

1-800-872-3963
1-800-USA-DYNE

**International Customers Dial
(614) 965-9340**
24-Hour FAX (614) 965-9438

OMEGADYNESM FAX

OMEGADYNE's 24-Hour
On-Line Publishing Service

1-800-344-3963
1-800-DIG-DYNE

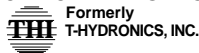
Document # 3665

OMEGADYNE, Inc.

149 Stelzer Court, Sunbury, OH 43074

http://www.omegadyne.com

e-mail: info@omegadyne.com



© COPYRIGHT 1996 OMEGADYNE, INC. ALL RIGHTS RESERVED.



Cable Style
Model PX103U0-025GI
Shown Actual Size

Connector Style
Model PX103U1-025GI
Shown Actual Size

► Most Popular Models Highlighted ◀

Prices Shown in U.S. Dollars

To Order: (Specify Model Number)			
Range (psi)	Model Number	Price	Compatible Meters
Absolute Pressure (All Ranges Available in Absolute Pressure)			
0-15	PX103U[*]-015AI	\$565	INFP, INFCP, IDP
0-25	PX103U[*]-025AI	565	INFP, INFCP, IDP
0-50	PX103U[*]-050AI	565	INFP, INFCP, IDP
Gage Pressure (All Ranges Also Available in Sealed Gage Pressure)			
0-5	PX103U[*]-005GI	495	INFP, INFCP, IDP
0-15	PX103U[*]-015GI	495	INFP, INFCP, IDP
0-25	PX103U[*]-025GI	495	INFP, INFCP, IDP
0-50	PX103U[*]-050GI	495	INFP, INFCP, IDP
0-100	PX103U[*]-100GI	555	INFP, INFCP, IDP
0-200	PX103U[*]-200GI	555	INFP, INFCP, IDP
0-500	PX103U[*]-500GI	555	INFP, INFCP, IDP
0-1,000	PX103U[*]-1KGI	555	INFP, INFCP, IDP
0-2,000	PX103U[*]-2KGI	555	INFP, INFCP, IDP
0-3,000	PX103U[*]-3KGI	555	INFP, INFCP, IDP
0-5,000	PX103U[*]-5KGI	555	INFP, INFCP, IDP
0-10,000	PX103U[*]-10KGI	555	INFP, INFCP, IDP
0-15,000	PX103U[*]-15KGI	555	INFP, INFCP**, IDP**
0-20,000	PX103U[*]-20KGI	555	INFP, INFCP**, IDP**

** 4 Digit meter, counts in increments of 10.

Interchangeable with Model TH-FDS

Metric Ranges Available – Consult Engineering

[*] To order Cable Style insert a 0, to order Connector Style insert a 1.

To order Absolute Pressure ranges change the "G" in the part number to an "A" (add \$70).

To order Sealed Gage Pressure models, change "G" in the part number to an "S", no charge.

To order extra lead length (10 ft standard) add suffix "-(Length of cable in feet)" add \$2.00/ft extra.

Ordering Examples: 1.) PX103U0-050GI is a 50 psi Gage Pressure Cable Style transducer,

\$495. 2.) PX103U1-100AI is a 100 psi Absolute Pressure Connector Style transducer,

\$555+\$70= \$625. Mating Connector (not included) PT06F-10-6S, \$26.50.

3.) PX103U0-200SI-25FT is a 200 psi Sealed Gage Pressure Cable Style transducer with

25 ft. leads, \$555 + \$70 = \$625.

Printed On Recycled Paper



SPECIFICATIONS: 4-20mA Output

Electrical:

Excitation: 10 -40 Vdc

Output: 4-20 mA

Zero Balance: 4 mA ±0.2 mA

Performance:

Accuracy Class: <100 psi: ±1%

Linearity, Hysteresis and Repeatability Combined.

≥100 psi: ±0.5% Linearity, Hysteresis and Repeatability Combined.

Environmental:

Operating Temp Range:

<100 psi: -40 to +82°C (-40 to +180°F)

≥100 psi: -46 to +121°C (-50 to +250°F)

Compensated Temp Range:

<100 psi: -1 to +54°C (30 to +130°F)

≥100 psi: -18 to +66°C (0 to +150°F)

Thermal Effects: <100 psi:

Span: <±2% within compensated range

Zero: <±1% within compensated range

≥100 psi:

Span: 0.003% Rdg/°F

Zero: 0.0045% FSO/°F

Pressure:

Ranges (psi): 5, 15, 25, 50, 100, 200, 500, 1K, 5K, 10K, 20K

Gage, Sealed Gage or Absolute - Metric Ranges also available

Proof Pressure: < 100 psi 200% of rated pressure, ≥ 100 psi 150% rated Pressure, 30,000 psi maximum

Burst Pressure: <100 psi: 500% of rated pressure, ≥ 100 psi 300% of rated pressure, 50,000 psi maximum

Mechanical:

Wetted Parts:

Ranges <100 psi: 316 Stainless Steel

Ranges ≥100 psi: 17-4 PH Stainless Steel

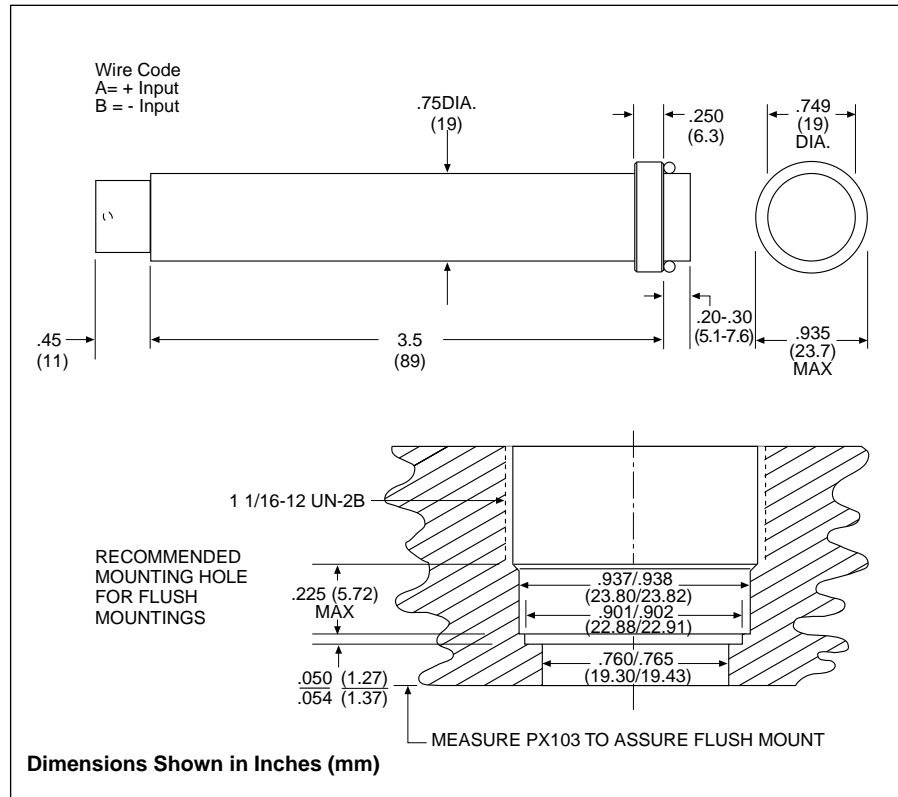
Pressure Port: Flush Diaphragm

O-Ring: Not included #2-018

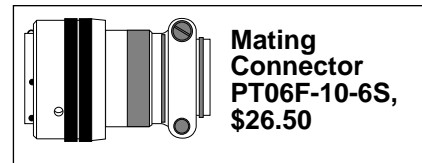
Electrical Connection: PT1H-10-6P or equal

FLUSH DIAPHRAGM TRANSMITTER

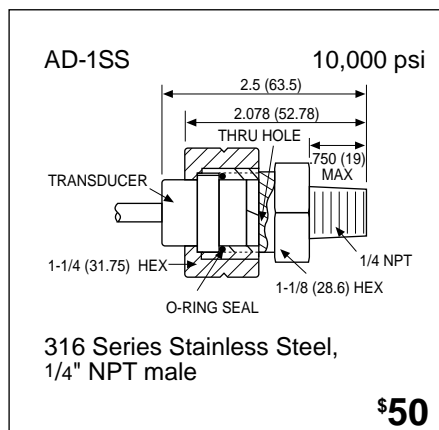
Stainless Steel Wetted Parts



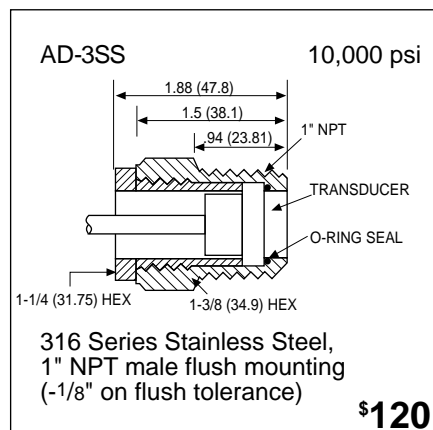
Optional Connection: 10 ft (3m) 4-conductor shielded PVC cable
Mating Connector: PT06F-10-6S (not included)



Flush Mount Adaptors for Series PX103 Transducers



O-Ring Provided with Each Adaptor.



"O" RINGS

Viton or Polyurethane

Use for pressures under
10,000 psi:

#2-018-V

VITON \$10/Pk of 10

Use for pressures of
10,000 psi and higher:

#2-018-P

POLYURETHANE \$10/Pk of 10

Look for OMEGADYNE Products on the World Wide Web!

<http://www.omegadyne.com>

e-mail: info@omegadyne.com